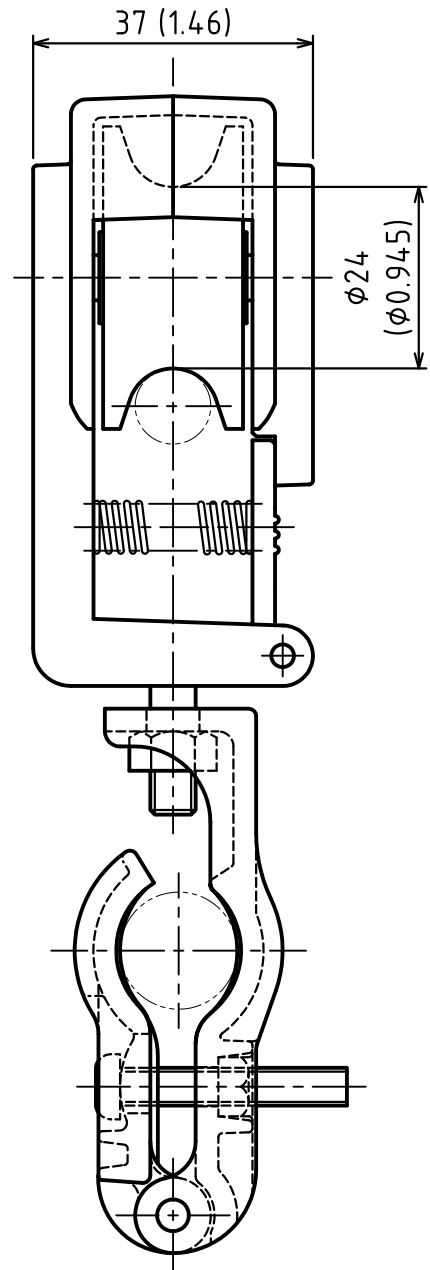
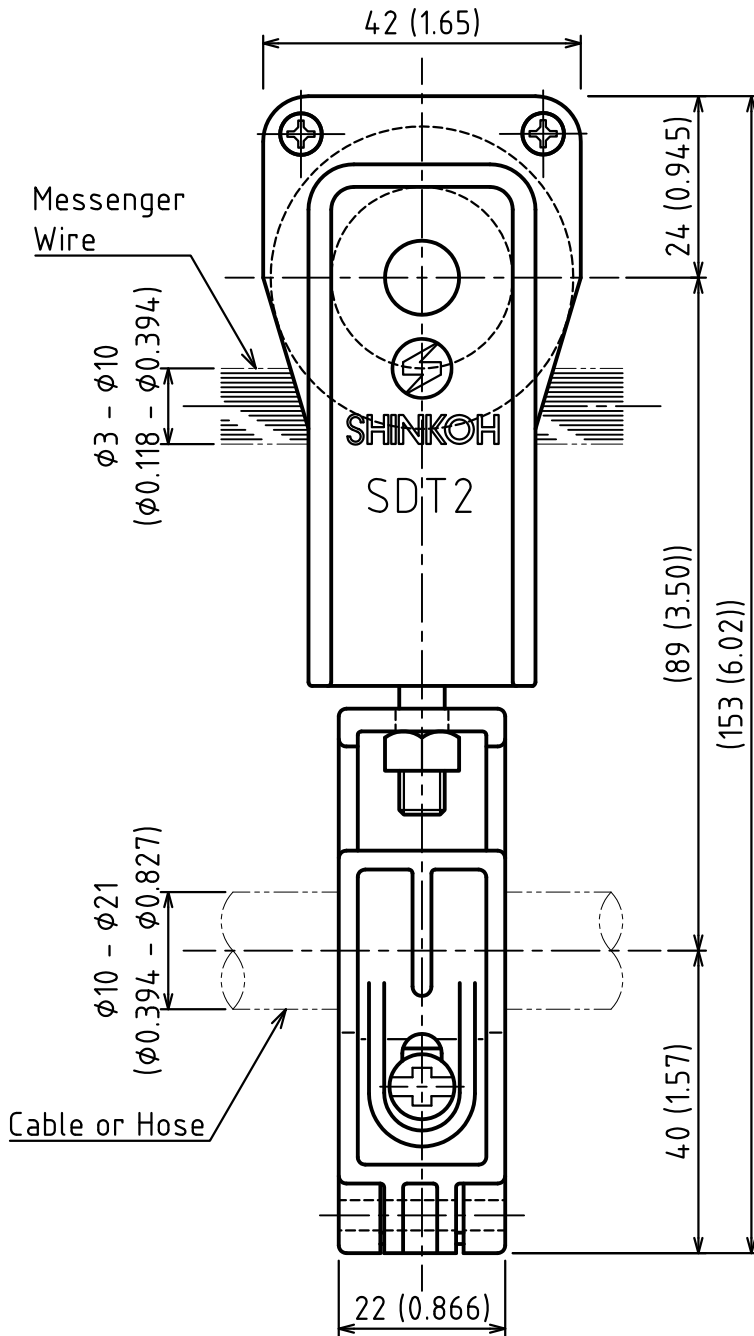


MARK	改定 REVISION	日付 DATE
△	Change	S.Sakata Dec. 3, 2014



### Specifications

1. Material

Roller: Polyacetal

Roller holder and Clamp: Polycarbonate

2. Allowable load: 25N (2.5kgf)

3. Weight: 0.093kg (0.205lb)

Unit: mm (in)

承認 APPROVED BY	検図 CHECKED BY	作成 DRAWN BY	NO.	部品名 NAME OF PARTS	材質 MATERIAL	PCS	REMARKS
		MS	第3角法 3RD ANGLE PROJECTION	名称 TITLE	ROUND HOSE AND CABLE CARRIER Model SDT2-PS		
			尺度 SCALE	1/1	図番 DWG.NO.	SH051752	
			作成日付 DATE	Aug. 21, 2001		REVISION	1